

# HTP-DOT

Glass Touch Panel with Amazon Alexa Echo Dot and up to 12 Buttons

HTP-DOT is a full color RGB LED glass touch panel with easy to use scenario buttons and Amazon Echo Dot featuring Alexa. Supports KNX or RS485 Modbus communication. Icons are laser engraved and customization is free of charge.



integrated with  
**amazon echo dot**

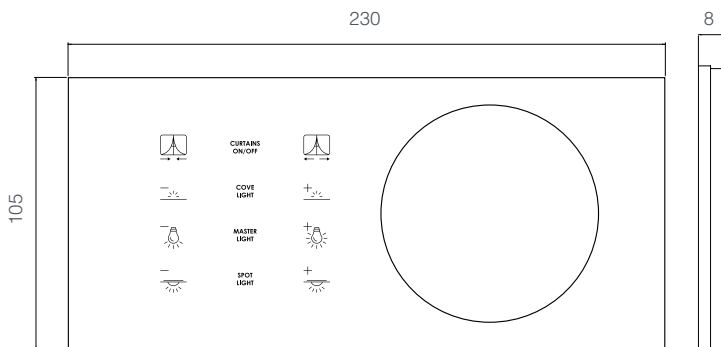
## Product Specification

Product Name	HTP-DOT
Dimensions (H x W x D)	230 x 105 x 8 mm
Frame Options	Glass surface with customizable background color
Supply Voltage	30V for HTP-DOT-KNX 24V for HTP-DOT
Supply Frequency	DC voltage
Current Consumption	Touch Panel: 30 mA for HTP-DOT-KNX 100 mA for HTP-DOT
Power Supply Options	Touch Panel: via bus cable Echo Dot: 110/220V 50/60Hz
Physical Interfaces	KNX for HTP-DOT-KNX RS485 for HTP-DOT USB and 3.5 mm audio for ECHO DOT
Connectivity	KNX for HTP-DOT-KNX Modbus for HTP-DOT Bluetooth, WiFi 802.11a, b, g, n (2.4 / 5 GHz)

Temperature Sensor	NTC, 0.5 °C Accuracy
Max Quantity of buttons	1 to 12 button models available
Status Indicators / Backlight	Individually programmable color and brightness
Mounting	Snap-in magnetic mounting
Warm Up Time	20 seconds
Operating Temperature Range	0 °C...+45 °C
Storage & Transportation Temperature	-10 °C...+70 °C
Maximum Air Humidity	90% (non condensing)
Protection Level	IP20

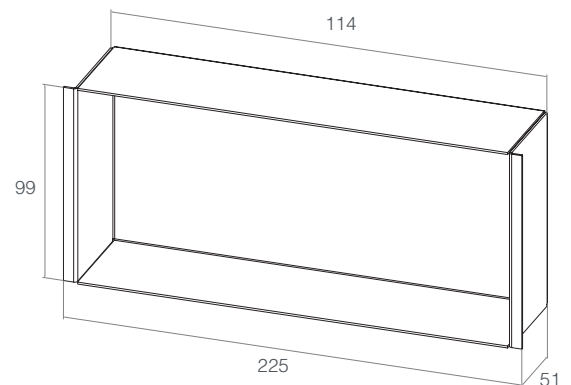
## Dimensions

Top and Side View (mm)








## Back Box Options

(mm)



WHAT IS  
ECHO DOT?

---

- Play your favorite music 
- Order pizza from Domino's 
- Voice control your home 
- Request rides from Uber 
- Find local businesses 



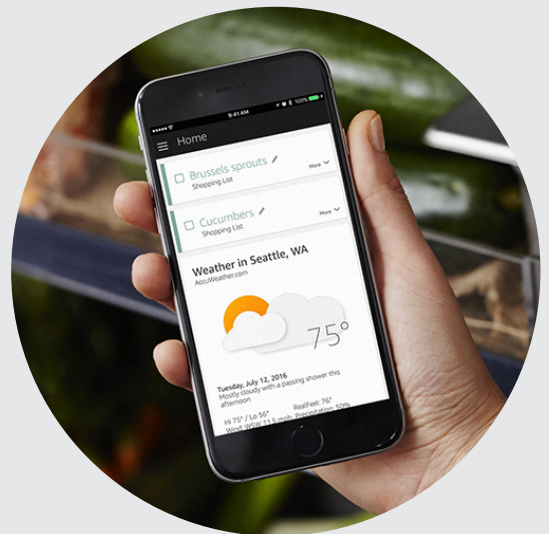
FAR-FIELD  
VOICE RECOGNITION

---



DO MORE WITH THE  
ALEXA APP

---



Aegean Free Zone, Nilufer Sk. 40/15-16  
35410, Gaziemir, Izmir, TURKEY  
Phone: +90 (232) 449 0882

[www.emtcontrols.com](http://www.emtcontrols.com)

**emtcontrols**  
technology solutions