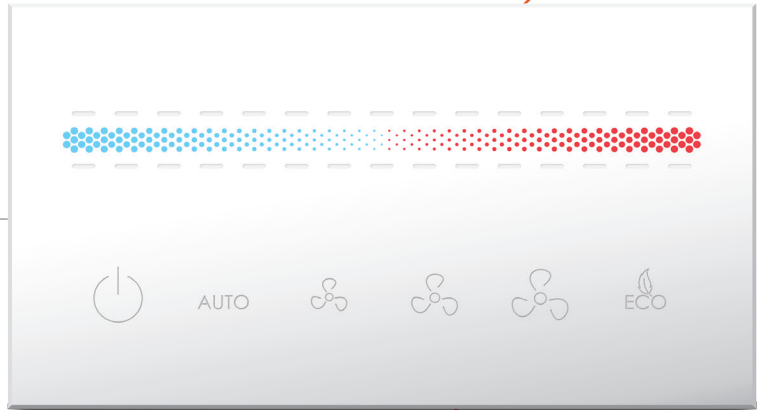


HTP205S

Glass Touch Panel with Linear Slider
and up to 6 Buttons

HTP205S is a full color glass touch panel with easy to use scenario buttons and linear slider.

Supports KNX or RS485 Modbus communication and compatible with UK/EU standard back boxes.



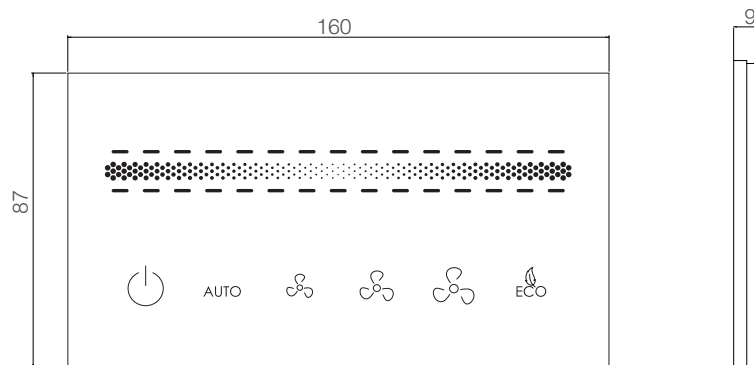
Product Specification

Product Name	HTP205S
Dimensions (H x W x D)	87 x 160 x 9 mm
Weight	150 g
Frame Options	Glass surface with customizable background color
Supply Voltage	30V for HTP205S-KNX 24V for HTP205S
Supply Frequency	DC voltage
Current Consumption	10 mA (eco mode) 30 mA (bright mode) for HTP205S-KNX 100 mA for HTP205S
Power Supply Options	via bus cable
Physical Interfaces	KNX for HTP205S-KNX RS485 for HTP205S
Communication Protocols	KNX for HTP205S-KNX Modbus for HTP205S

Temperature Sensor	NTC, 0.5 °C Accuracy
Max Quantity of buttons	6
Quantity of slider segments	15
Status Indicators / Backlight	Individually programmable color and brightness
Mounting	Snap-in magnetic mounting
Warm Up Time	20 seconds
Operating Temperature Range	0 °C...+45 °C
Storage & Transportation Temperature	-10 °C...+70 °C
Maximum Air Humidity	90%
Protection Level	IP20

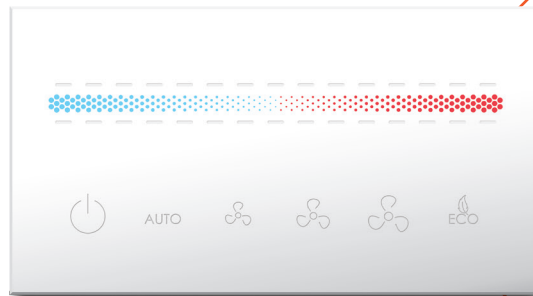
Dimensions

Top and Side View (mm)

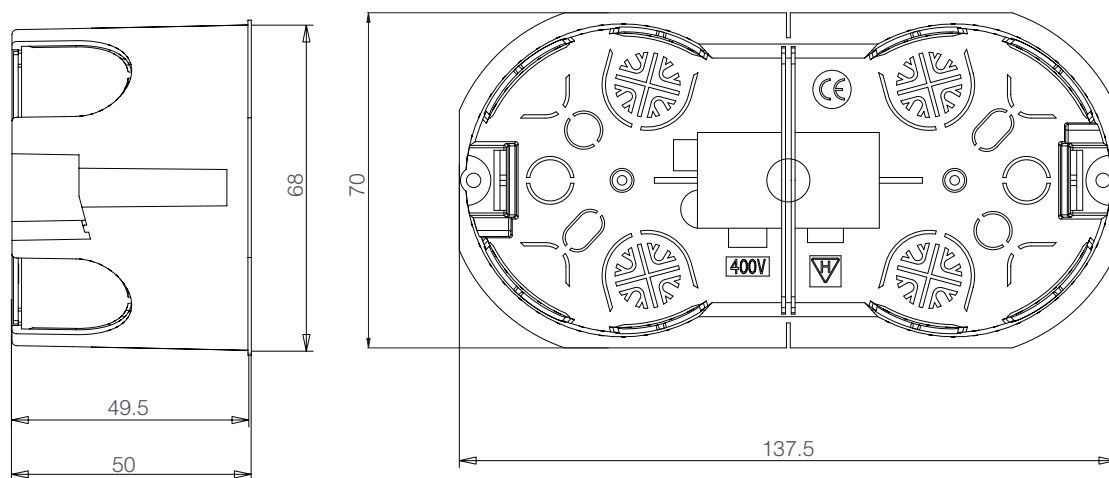


HTP205S

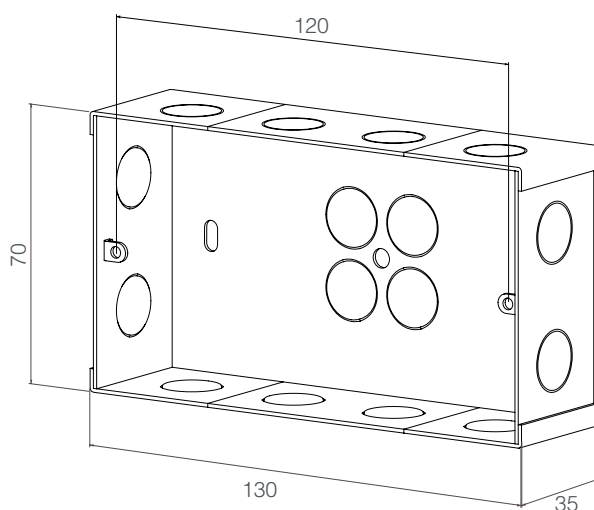
Glass Touch Panel with Linear Slider
and up to 6 Buttons



Back Box Options EU 3M Standard



UK 3x6 Standard



All dimensions are in mm unless otherwise specified.

Aegean Free Zone, Nilufer Sk. 40/15-16
35410, Gaziemir, Izmir, TURKEY
Phone: +90 (232) 449 0882

www.emtcontrols.com

emtcontrols
technology solutions