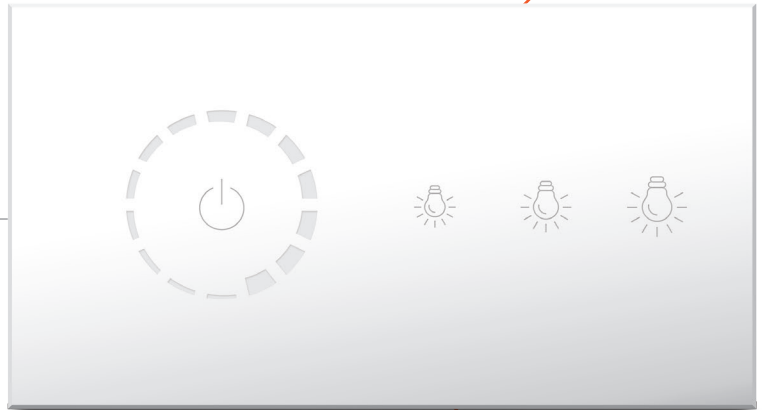


# HTP207

Glass Touch Panel with Radial Slider  
and up to 10 Buttons

HTP207 is a full color glass touch panel with easy to use scenario buttons and radial slider.

Supports KNX or RS485 Modbus communication and compatible with UK/EU standard back boxes.



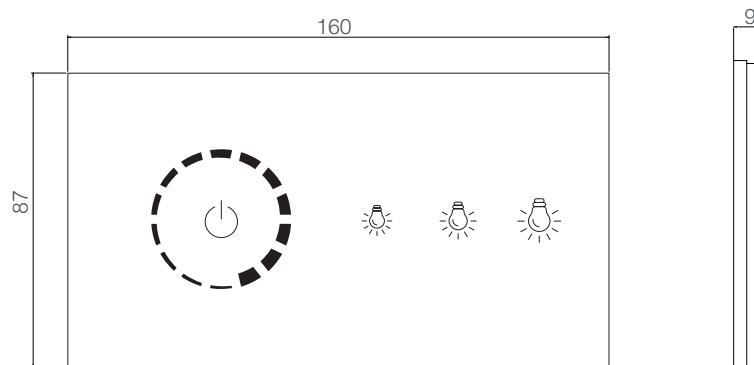
## Product Specification

Product Name	HTP207
Dimensions (H x W x D)	87 x 160 x 9 mm
Weight	150 g
Frame Options	Glass surface with customizable background color
Supply Voltage	30V for HTP207-KNX 24V for HTP207
Supply Frequency	DC voltage
Current Consumption	10 mA (eco mode) 30 mA (bright mode) for HTP207-KNX 100 mA for HTP207
Power Supply Options	via bus cable
Physical Interfaces	KNX for HTP207-KNX RS485 for HTP207
Communication Protocols	KNX for HTP207-KNX Modbus for HTP207

Temperature Sensor	NTC, 0.5 °C Accuracy
Max Quantity of buttons	10
Quantity of slider segments	14
Status Indicators / Backlight	Individually programmable color and brightness
Mounting	Snap-in magnetic mounting
Warm Up Time	20 seconds
Operating Temperature Range	0 °C...+45 °C
Storage & Transportation Temperature	-10 °C...+70 °C
Maximum Air Humidity	90%
Protection Level	IP20

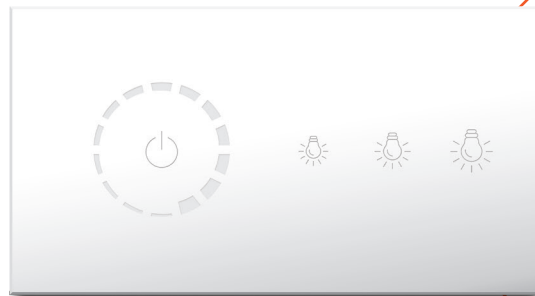
## Dimensions

Top and Side View (mm)

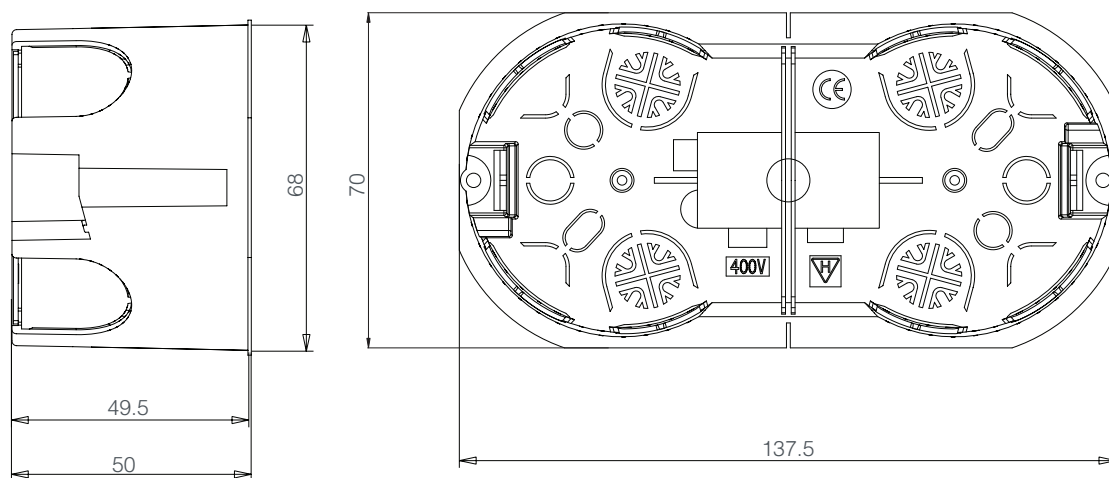


# HTP207

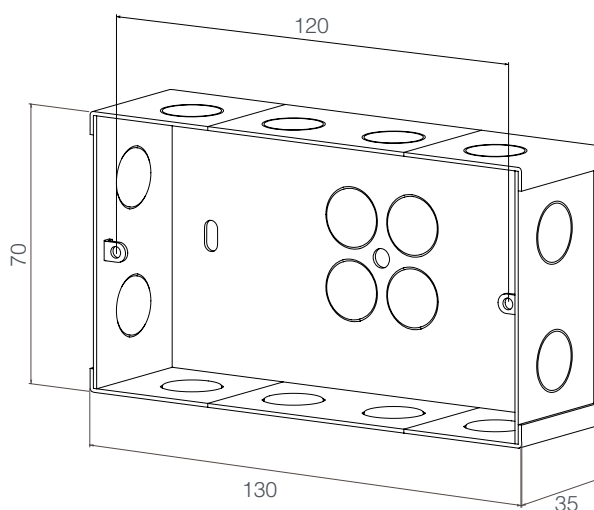
Glass Touch Panel with Radial Slider  
and up to 10 Buttons



## Back Box Options EU 3M Standard



## UK 3x6 Standard



All dimensions are in mm unless otherwise specified.

Aegean Free Zone, Nilufer Sk. 40/15-16  
35410, Gaziemir, Izmir, TURKEY  
Phone: +90 (232) 449 0882

[www.emtcontrols.com](http://www.emtcontrols.com)

**emtcontrols**  
technology solutions