

# HTP95-12-Table Top

Bedside touch panel with glass surface,  
12 buttons and table top design

**HTP95-12-Table Top** is a full color glass touch panel with easy to use buttons and RGB backlights.

Supports KNX, RS485 Modbus, Z-wave communication and compatible with UK/EU standard back boxes.



## Product Specification

|                        |   |
|------------------------|---|
| Product Name           | <b>HTP95-12-Table Top</b>   |
| Dimensions (H x W x D) | 133 x 105 x 108 mm  |
| Weight                 | 300 g   |
| Frame Options          | Glass surface with customizable background color  |
| Supply Voltage         | 30V for <b>HTP95-12-Table Top-KNX</b><br>24V for <b>HTP95-12-Table Top</b>  |
| Supply Frequency       | DC voltage  |
| Current Consumption    | 10 mA (eco mode),<br>25mA (bright mode)<br>for <b>HTP95-12-Table Top-KNX</b><br>80 mA for <b>HTP95-12-Table Top</b> |
| Power Supply Options   | via coiled cable  |
| Physical Interfaces    | KNX for <b>HTP95-12-Table Top-KNX</b><br>RS485 for <b>HTP95-12-Table Top</b>  |

|                                      |   |
|--------------------------------------|---|
| Communication Protocols              | KNX for <b>HTP95-12-Table Top-KNX</b><br>Modbus for <b>HTP95-12-Table Top</b> |
| Temperature Sensor                   | NTC, 0.5 °C Accuracy  |
| Max Quantity of buttons              | 12  |
| Status Indicators / Backlight        | Individually programmable backlight color and brightness                      |
| Warm Up Time                         | 20 seconds  |
| Operating Temperature Range          | 0 °C...+45 °C   |
| Storage & Transportation Temperature | -10 °C...+70 °C   |
| Maximum Air Humidity                 | 90%   |
| Protection Level                     | IP20  |

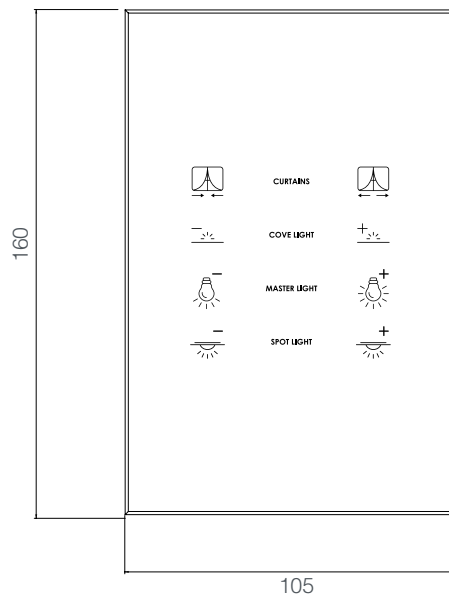
# HTP95-12-Table Top

Bedside touch panel with glass surface,  
12 buttons and table top design



## Dimensions

Top view (mm)



Side view (mm)

